



**VIKING  BIO**

Pellet burner





## Viking Bio 200

Viking Bio 200 is a modern pellet burner with minimum maintenance requirements. Automatic ash removal and a touch display make it easy to use.

Viking Bio 200 is easy to install. An **informative display** shows clearly what is going on and the burner guides you through the entire installation until it has been set up perfectly.

The display also gives the burner a number of other advantages:

- It is very easy to maintain for consumers. The display shows clearly what is going on during operation and also shows when it needs to be cleaned.
- If any problems arise,

troubleshooting is easy. The burner's memory stores all the history of what has happened since it was new.

Viking Bio 200 has **mechanical ash removal** at adjustable intervals, making it virtually maintenance-free. If you happen to have low-quality pellets, the automatic ash rake can be operated at shorter intervals. It is easy to service with, for example, a **quick release fitting** on the burner pipe and easily accessible, fast replacement of ignition elements.

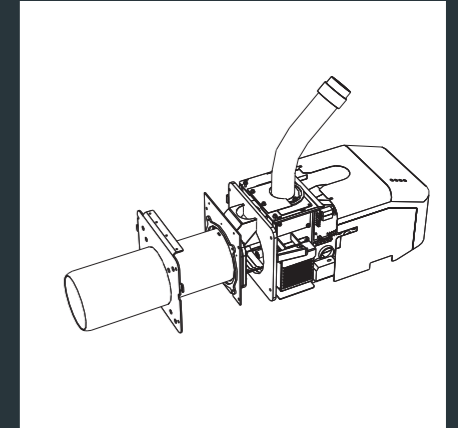
**Viking Bio is a modern burner that saves both time and money. It has an attractive design and is easy to use. Carefully thought-out solutions make it the obvious choice when you want the very best pellet firing!**

**Call us today!**  
+46 44 22 63 20



## Viking Bio 35

It is finally here, the Viking Bio 35 for large properties and houses. The burner is a further development of our classic Viking Bio 20 and has been eagerly awaited.



### Viking Bio 35

Although the burner is new, it has still been well tried and tested as it is based on the same technology as the Viking Bio 20, one of the world's best-selling pellet burners.

### Large properties, farms and large houses

For several years, there has been high demand for a bigger Viking Bio. Now owners of large properties can also heat simply and efficiently with pellets.

### Service-friendly

We have developed Viking Bio to be as simple and user-friendly as possible. Service should also be easy to carry out. For example, the burner pipe has a quick-release fitting and can be changed in no time.

## Viking Bio 20

Tens of thousands have been sold in Sweden, Germany, France and other countries.



The burner has no moving parts apart from the fan. All hot parts are made of top-quality stainless steel. One of the reasons for the burner's popularity is that Viking Bio has a forward-burning flame just like an oil burner. Therefore, the burner fits in most boilers. The burner is often sold with our small Pellmax UB pellet cassette as a supplement to a heat pump.

Viking Bio has been tested by SP, the Technical Research Institute of Sweden, and meets all safety and environmental requirements. It is P-marked. The burner has also been tested to EN 15270, an EU standard with strict requirements.

### Visit our website

[www.varmebaronen.se](http://www.varmebaronen.se)  
[www.varmebaronen.com](http://www.varmebaronen.com)  
[www.varmebaronen.de](http://www.varmebaronen.de)

## Specifications:

	Viking Bio 20	Viking Bio 35	Viking Bio 200
Power	20 kW	35 kW	20 kW
Economical	✓	✓	✓
Comfort	✓	✓	✓
Environment	✓	✓	✓
Safe	✓	✓	✓
Reliable	✓	✓	✓
User-friendly	✓	✓	✓
Adaptable to various boilers	✓	✓	✓
Low power consumption	✓	✓	✓
Extremely service-friendly		✓	✓
Automatic ash removal			✓
Informative display			✓
Easy adjustment			✓
High-quality design			✓
Long operating intervals			✓
Not sensitive to pellet quality			✓

**VIKING  BIO**

## Värmebaronen

Arkelstorpsvägen 88  
SE-291 94 Kristianstad  
Sweden

+46 44 22 63 20

[info@varmebaronen.se](mailto:info@varmebaronen.se)

[www.varmebaronen.se](http://www.varmebaronen.se)  
[www.varmebaronen.com](http://www.varmebaronen.com)  
[www.varmebaronen.de](http://www.varmebaronen.de)

