

# ČAROBNA PEĆ

ČAROBNA PEĆ 's body is completely made of steel and steel sheets.

Fire box is made of chamotte and fireproof glass is first quality ROBAX-SHOTT glass.

Available in wide range of colors, ČAROBNA PEĆ is optimal priced heating solution.



Width	Depth	Height
490 mm	510 mm	835 mm



ČAROBNA PEĆ is available in following colors.

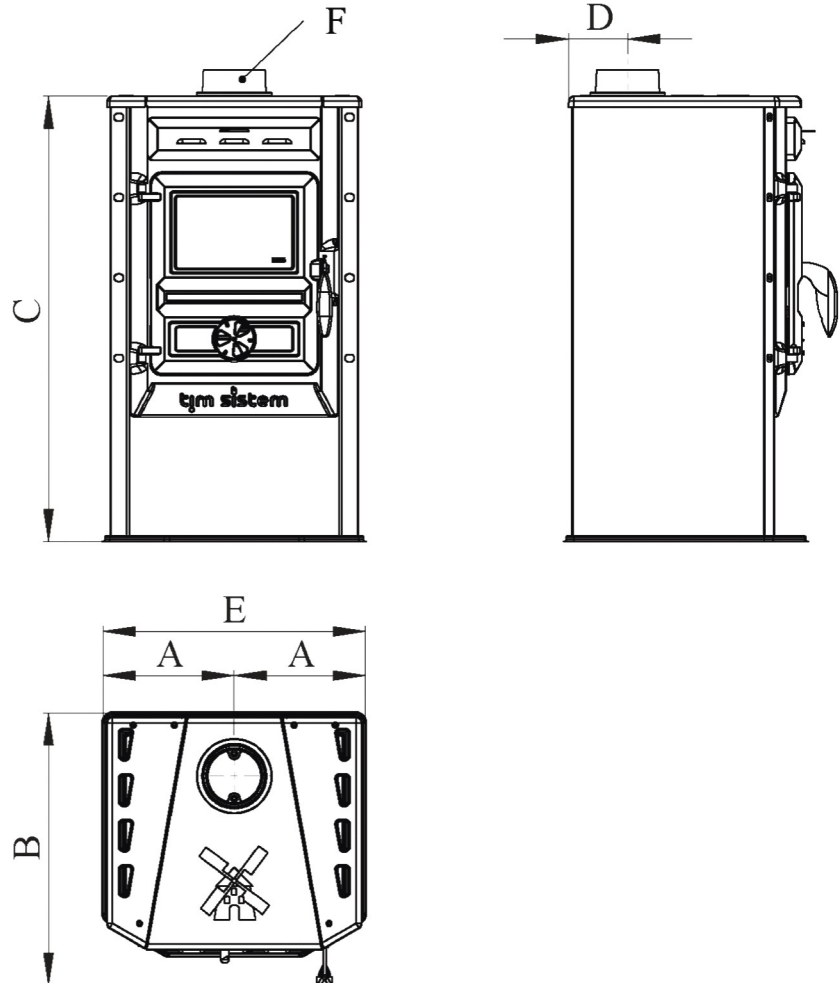
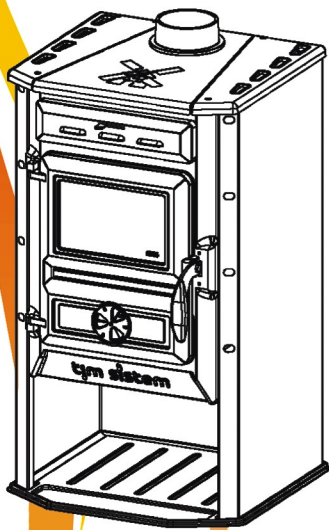


**tim sistem**

... *Heat, save, preserve.*

## Tehchnical data

A	B	C	D	E	F
245 mm	510 mm	835 mm	110 mm	490 mm	Ø 120



Dimensions (W x D x H)	mm	490 x 510 x 835
Fire box dimensions (W x D x H)	mm	300 x 350 x 250
Nominal thermal output	KW	10
Appliance efficiency	%	87
Exhaust diameter	mm	Ø 120
Fuel type		wood, wood briquettes
Temperature of the gases	°C	134
Dust content of exhaust gases	mg/m <sup>3</sup>	D=65
CO (13%O <sub>2</sub> )	%	0,1163
Net weight	kg	49,00
Brutto weight	kg	53,00